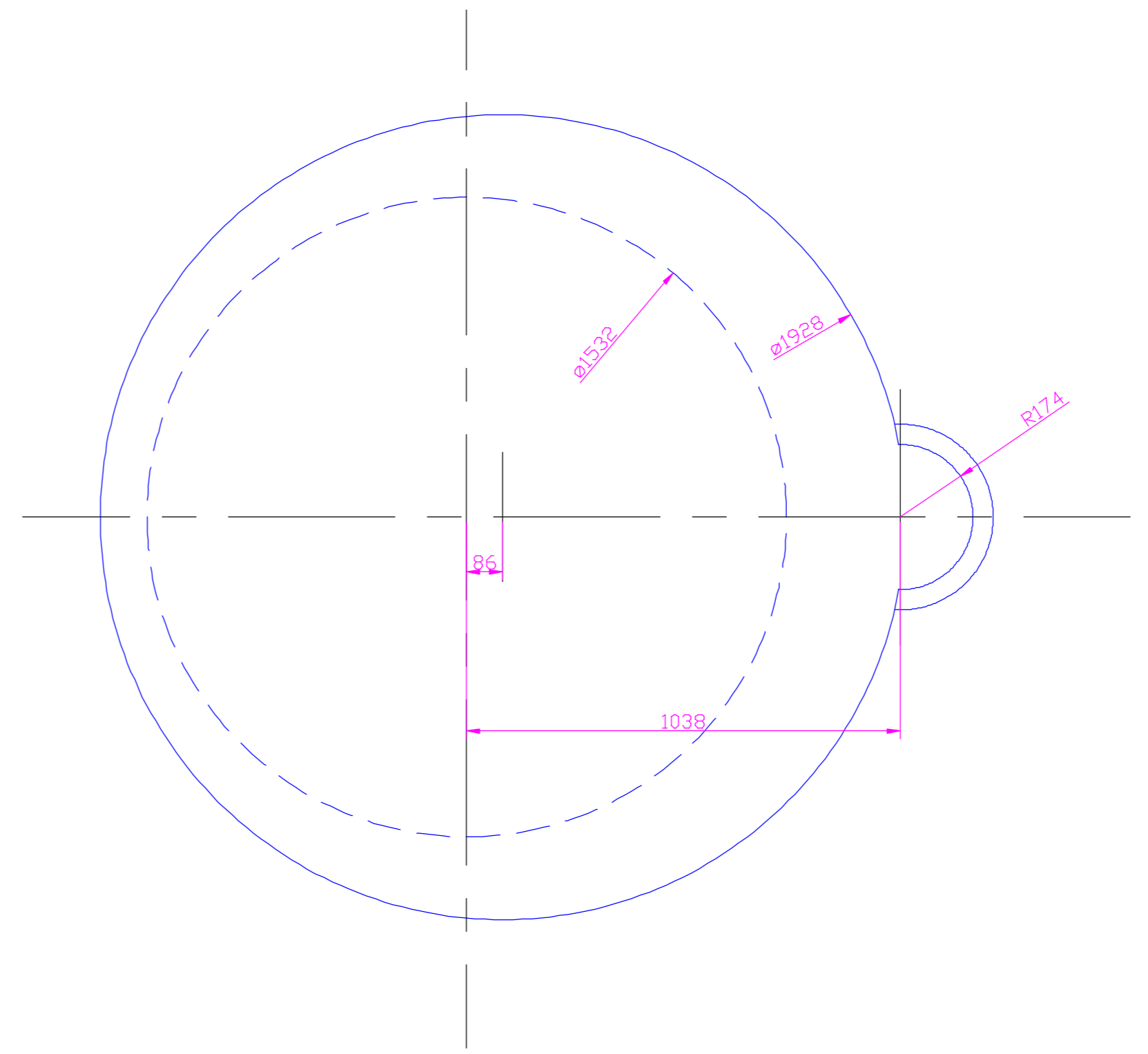
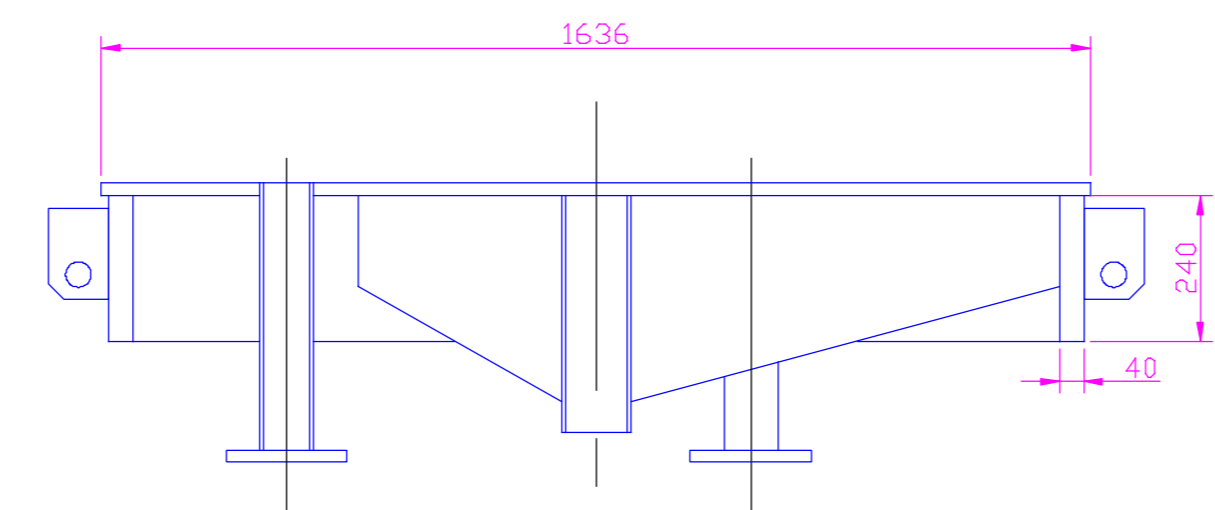
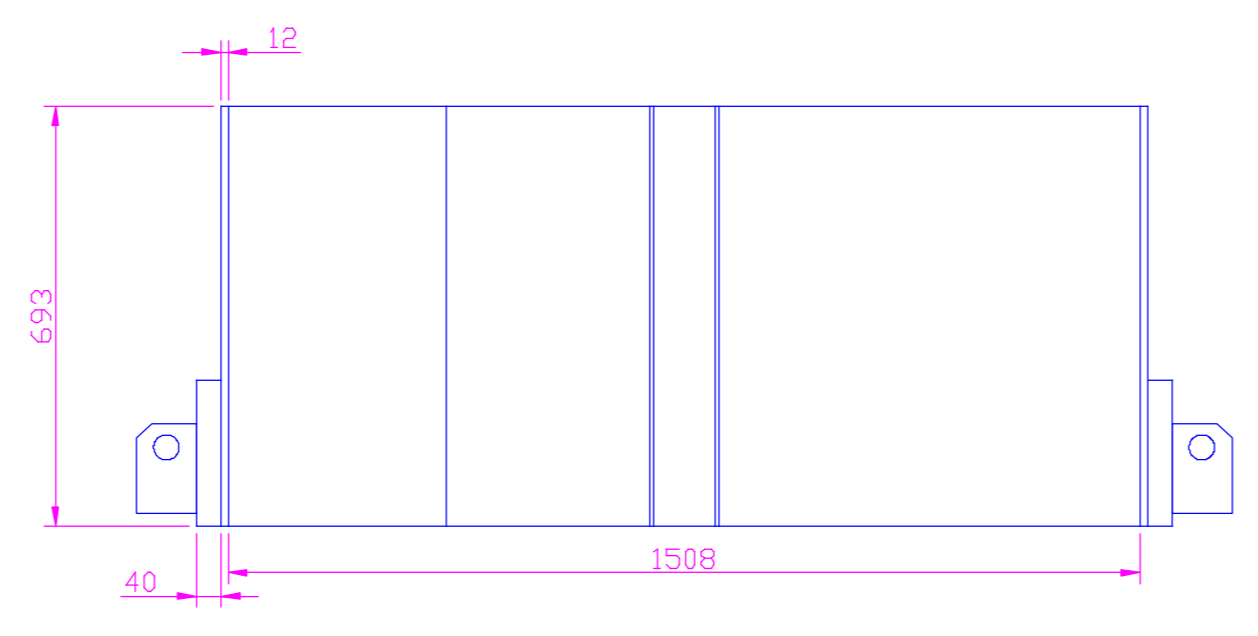
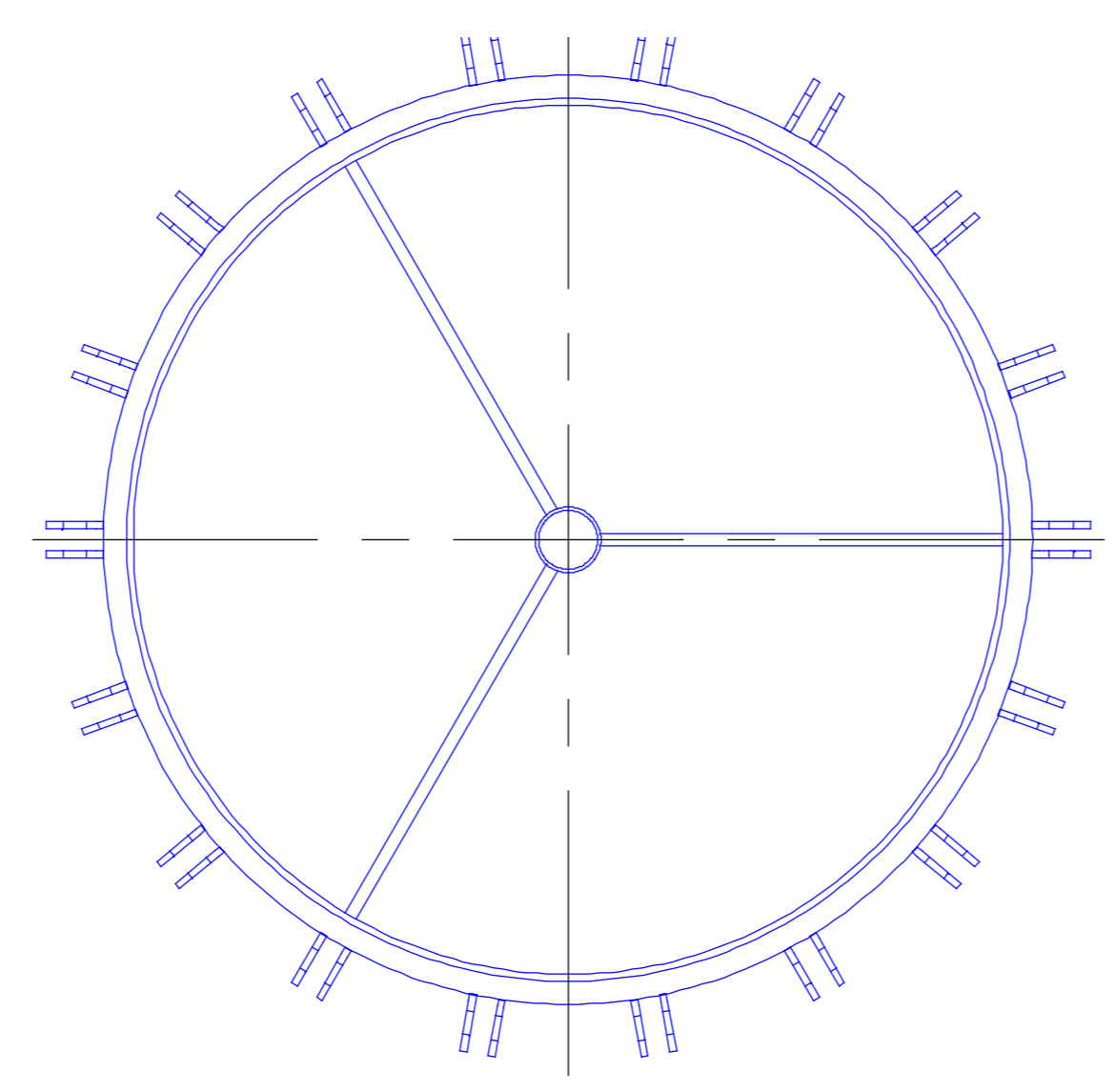
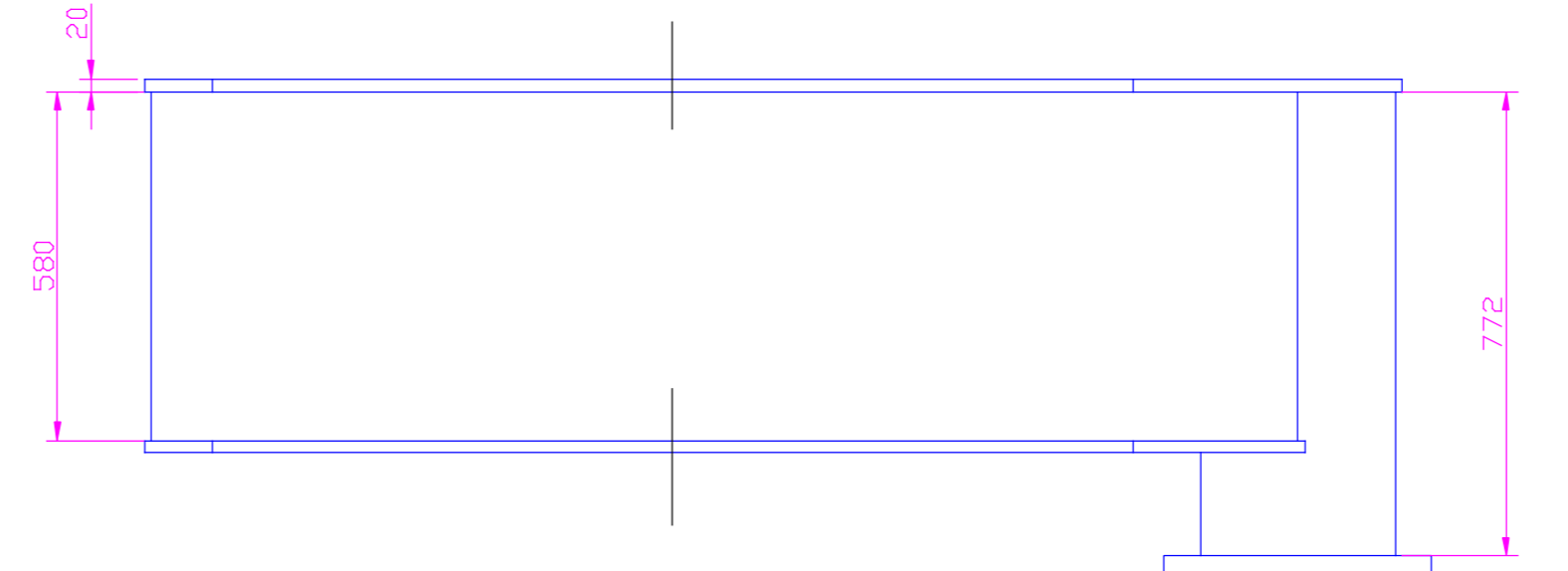
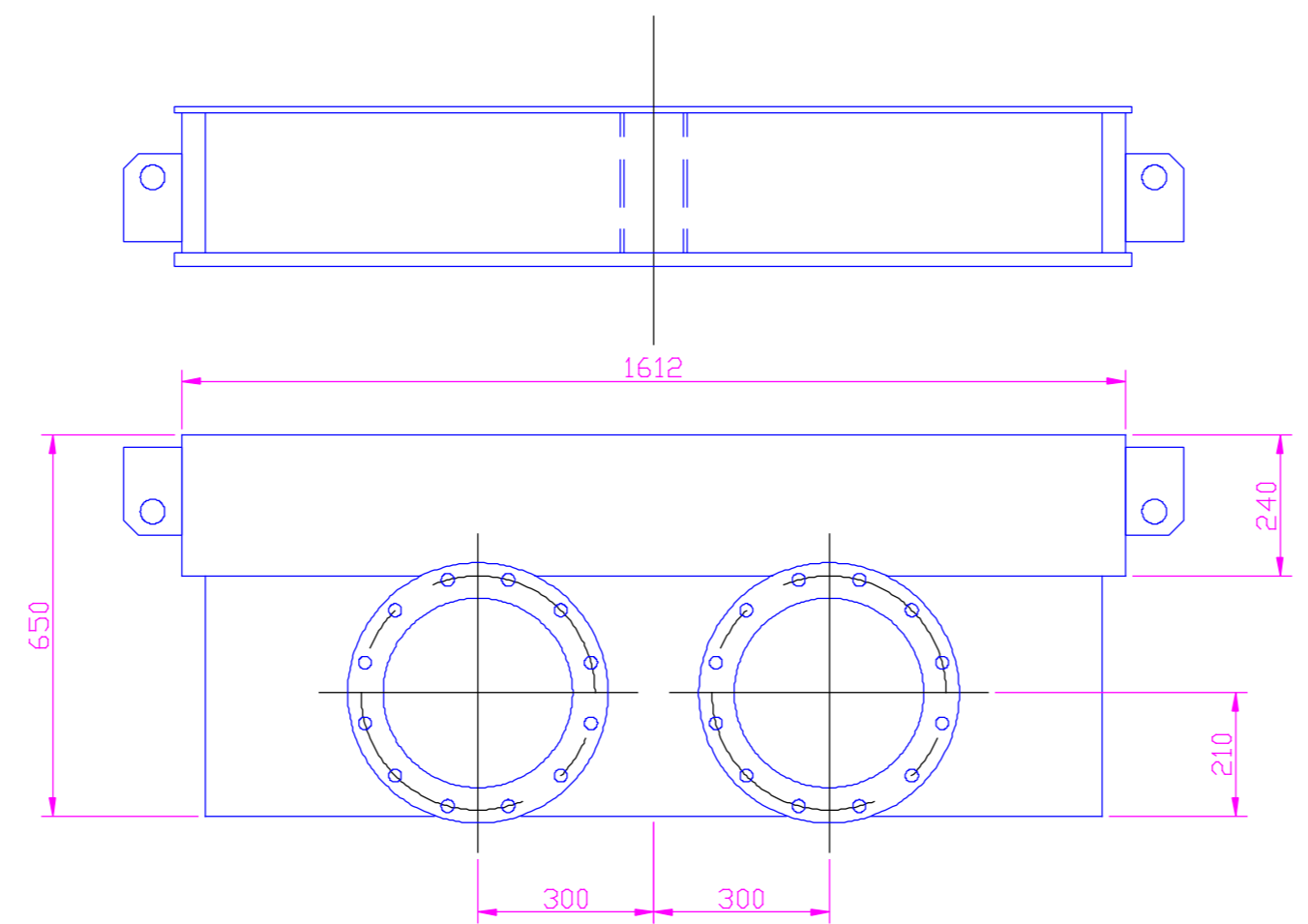


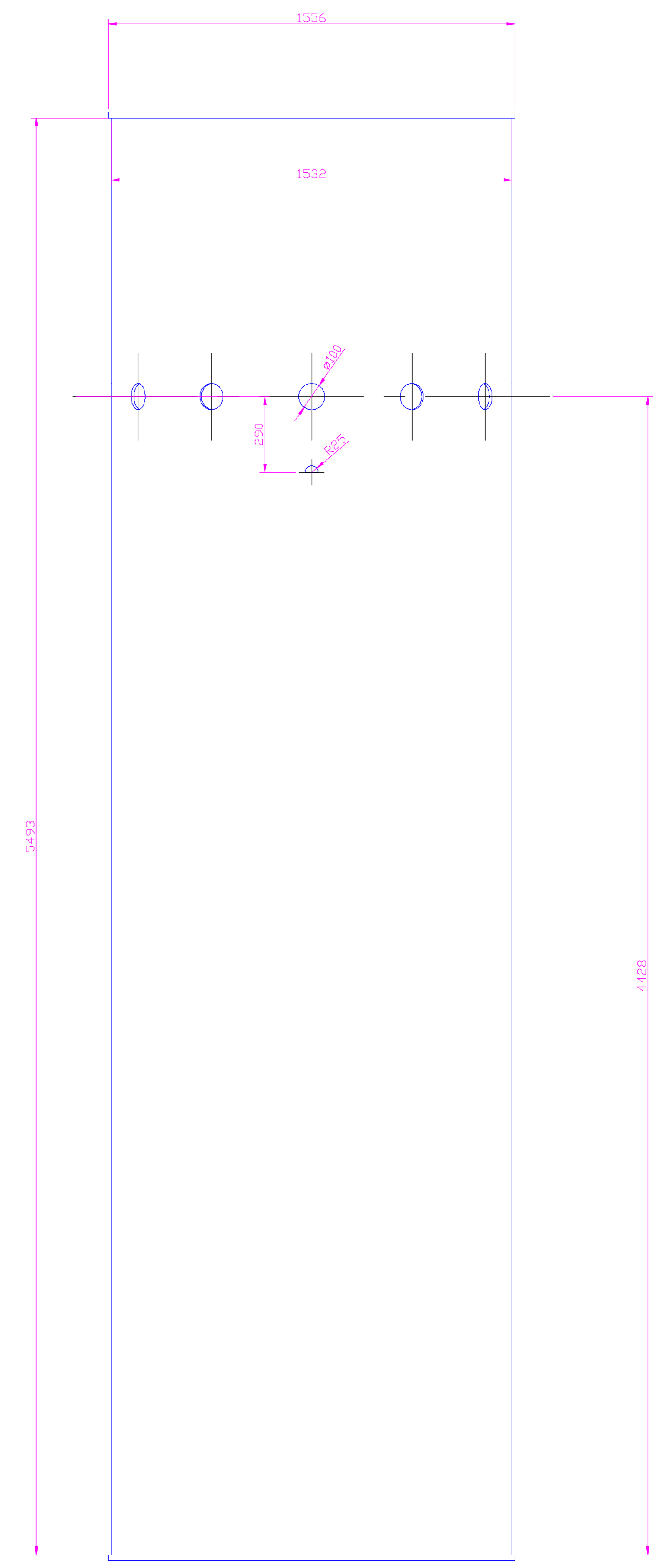
Top Lid



Steam Chest



Section Through Bottom Door



Sugar Engineers		Itemref	Quantity	Title/Name, designation, material, dimension etc		Article No./Reference	
www.sugar-tech.co.za		Designed by	WJ	Checked by	Approved by - date	Filename	Date
w.jayes@sugar-tech.co.za				XXX - 99-99-99	1111-1111		13-09-11
5 Fir Tree Lodge						Scale	
St Aidan's Ave, Grahamstown						1:1	
South Africa						Sheet	
						A0	